

ACC 350 END CAPS

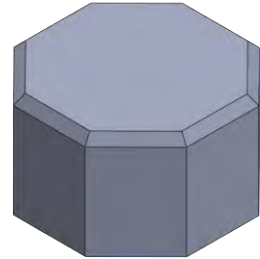
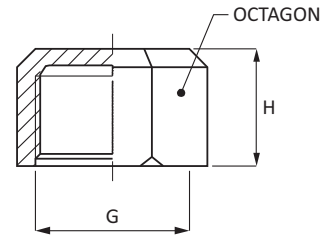
ACC350 plastic caps are best suitable to plug pipes ends also it can be used to seal pipes ends when, to manufacture different size products, it is made of glass filled polypropylene offer the best resistance to chemicals. They are widely used in surface pre-treatment.

Max working temperature 80°C.

Materials

Polypropylene (20% - 25% glass filled)

MODEL NO.	SIZE (G) BSPP	H (mm)	OCTAGON (mm)
ACC350.P2G.XF	1"	25	42
ACC350.P2G.XG	1 1/4"	28	52
ACC350.P2G.XH	1 1/2"	32	60



SH SERIES PIPE HOLDERS

SH series pipe holders are user-friendly and convenient solution for fixing spray manifolds onto tunnels walls in surface treatment plants. They are easy to assemble, excellent fastening and low cost. The single clip type is suitable for plastic pipes and double clip is suitable for metallic pipes.

Typical application : Holding pipe, Piping assembly

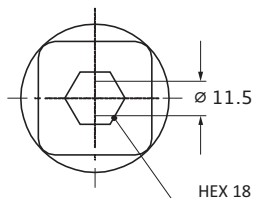
Pipe size : 3/4", 1", 1 1/4", 1 1/2", 2"

Materials

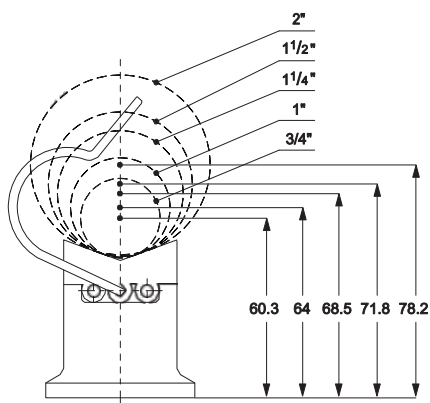
Body : Polypropylene (20%-25% glass filled)

Clamp : SS 304 / SS 316

Colour : L. Blue



SH series holder body is designed to be fastened to the tunnel wall by means of one M10 bolt with 17 mm hexagonal head.

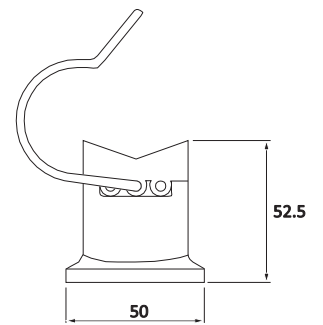


The drawing shows the distances of the pipe central axis from the wall for different pipe sizes assembled onto the pipe holder.

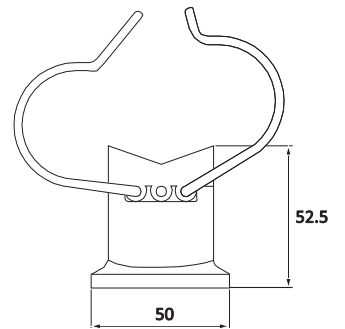
CODE		PIPE SIZE (inch)
Single Clamp	Double Clamp	
SH1E	SH2E	3/4"
SH1F	SH2F	1"
SH1G	SH2G	1 1/4"
SH1H	SH2H	1 1/2"
SH1K	SH2K	2"



Single Clamp



Double Clamp



ACC501, ACC502 & ACC503 Camlock couplings are a very popular solution for quick assembly/disassembly also provides ease of operation.

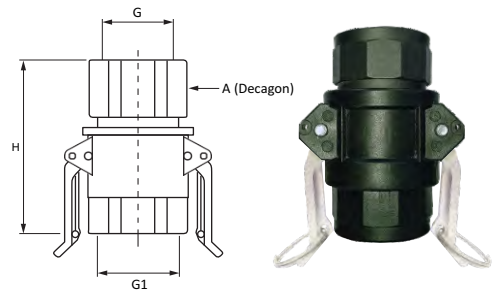
- Thread size 3/4", 1", 1 1/4", 1 1/2"
- Thread specification BSP, NPT
- Typical applications Quick installation in piping, sanitary installation applications.

Materials

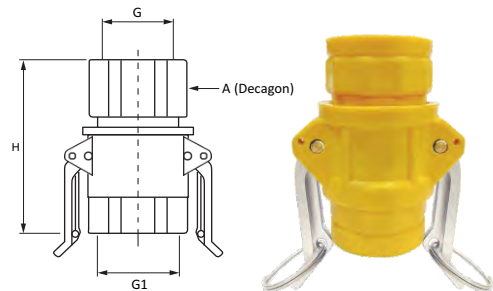
Body : Polypropylene (20% - 25% glass filled)

Lever : SS 316

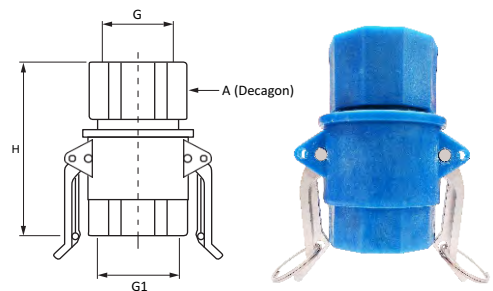
O-ring : NBR (standard)
 Viton (optional)
 EPDM (optional)



ACC501



ACC502



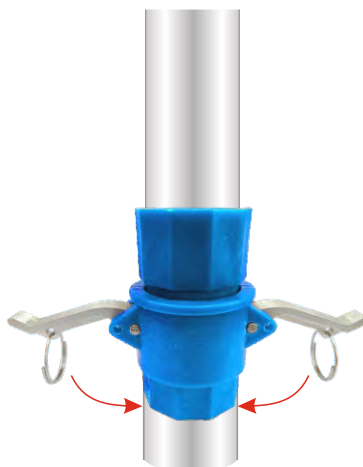
ACC503

MODEL NO	G (inch) BSP (F)	G1 (inch) BSP (F)	H (mm)	A (mm)	RATING (bar)	COLOUR	WEIGHT APPROX (grams)
ACC501.P2G.XE	3/4"	3/4"	98	48	10	BLACK	207.0
ACC501.P2G.XF	1"	1"	98	48	8	BLACK	207.0
ACC502.P2G.XF	1"	1"	98	48	10	YELLOW	235.0
ACC502.P2G.XG	1 1/4"	1 1/4"	98	48	8	YELLOW	235.0
ACC503.P2G.XG	1 1/4"	1 1/4"	110	58	15	BLUE	267.0
ACC503.P2G.XH	1 1/2"	1 1/2"	110	58	12	BLUE	267.0

CAMLOCK COUPLING - INSTALLATION



1. Install the threaded portion at each end



2. Pull levers down and fasten



3. Fix the clip