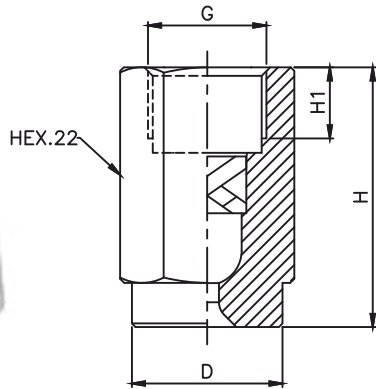


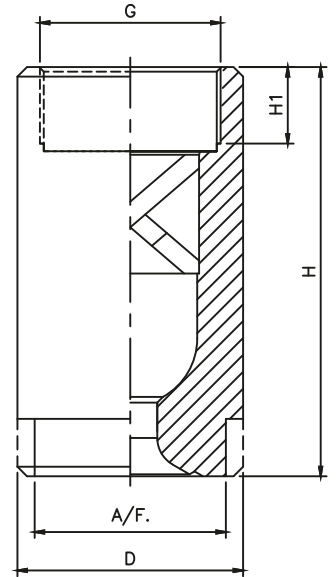
# DB Series Full Cone Spray Nozzles

**DB**

(Female)



Design for 1/8", 1/4", 3/8" & 1/2"



Design for 3/4" & 2"

MODEL NO.		CONNECTION END										FLOW CAPACITY IN LPM AT DIFFERENT PRESSURE							G/A DIMENSION. MM						
		1/8"	1/4"	3/8"	1/2"	3/4"	1"	1 1/4"	1 1/2"	2"	ORIFICE SIZE (mm)														
SPRAY ANGLE												PRESSURE [BAR]													
15°	30°	BSP	BSP	BSP	BSP	BSP	BSP	BSP	BSP	BSP	BSP	0.5	1.0	2.0	3.0	5.0	7.0	10.0	CONN.	H	H1	D	HEX		
DB11.100	DB12.100	●										1.2	0.50	0.71	1.00	1.22	1.58	1.87	2.24	1/8"	26.5	6.5	13.2	14	
DB11.150	DB12.150	●										1.5	0.75	1.06	1.50	1.84	2.37	2.81	3.35	Weight (Metals) = XX gms. Approx					
DB11.175	DB12.175	●										1.6	0.87	1.24	1.75	2.14	2.77	3.27	3.91	1/4"	34	10	15.2	16	
DB11.200	DB12.200	●										1.7	1.00	1.41	2.00	2.45	3.16	3.74	4.47	Weight (Metals) = 38 gms. Approx					
DB11.250	DB12.250	●										1.9	1.25	1.77	2.50	3.06	3.95	4.68	5.59	3/8"	36.5	10	21.2	22	
DB11.300	DB12.300	●										2.0	1.50	2.12	3.00	3.67	4.74	5.61	6.71	Weight (Metals) = 90 gms. Approx					
DB11.350	DB12.350	●										2.3	1.75	2.47	3.50	4.29	5.53	6.55	7.83	1/2"	48.5	14	26.2	27	
DB11.400	DB12.400	●										2.5	2.00	2.83	4.00	4.90	6.32	7.48	8.94	Weight (Metals) = 176 gms. Approx					
DB11.475	DB12.475	●	●									2.7	2.37	3.36	4.75	5.82	7.51	8.89	10.62	3/4"	58	14	31.5	27	
DB11.650	DB12.650		●									3.1	3.25	4.60	6.50	7.96	10.28	12.16	14.53	Weight (Metals) = 230 gms. Approx					
DB11.800	DB12.800		●									3.5	4.00	5.66	8.00	9.80	12.65	14.97	17.89	1"	76	18	39.5	36	
DB21.100	DB22.100		●	●								3.9	5.00	7.07	10.00	12.25	15.81	18.71	22.36	Weight (Metals) = 470 gms. Approx					
DB21.125	DB22.125			●								4.3	6.25	8.84	12.50	15.31	19.76	23.39	27.95	1 1/4"	96	20	49	41	
DB21.160	DB22.160			●	●							4.9	8.00	11.31	16.00	19.60	25.30	29.93	35.78	Weight (Metals) = 678 gms. Approx					
DB21.180	DB22.180				●							5.2	9.00	12.73	18.00	22.05	28.46	33.67	40.25	1 1/2"	107	20	59	50	
DB21.200	DB22.200				●	●						5.5	10.00	14.14	20.00	24.49	31.62	37.42	44.72	Weight (Metals) = 1176 gms. Approx					
DB21.225	DB22.225				●	●						5.8	11.25	15.91	22.50	27.56	35.58	42.09	50.31	2"	130	22	68	60	
DB21.250	DB22.250					●						6.1	12.50	17.68	25.00	30.62	39.53	46.77	55.90	Weight (Metals) = 2410 gms. Approx					
DB21.320	DB22.320					●	●					6.9	16.00	22.63	32.00	39.19	50.60	59.87	71.55						
DB21.400	DB22.400						●					7.7	20.00	28.28	40.00	48.99	63.25	74.83	89.44						
DB21.520	DB22.520						●	●				8.8	26.00	36.77	52.00	63.69	82.22	97.28	116.28						
DB21.650	DB22.650							●				9.9	32.50	45.96	65.00	79.61	102.77	121.60	145.34						
DB21.720	DB22.720							●	●			10.4	36.00	50.91	72.00	88.18	113.8	134.7	161.00						
DB21.800	DB22.800								●			11.5	40.00	56.57	80.00	97.98	126.49	149.67	178.89						
DB31.100	DB32.100									●		12.9	50.00	70.71	100.00	122.47	158.11	187.08	223.61						
DB31.118	DB32.118										●	14.0	59.00	83.44	118.00	144.52	186.57	220.76	263.86						
DB31.130	DB32.130											14.7	65.00	91.92	130.00	159.22	205.55	243.21	290.69						
DB31.160	DB32.160											16.3	80.00	113.14	160.00	195.96	252.98	299.33	357.77						
DB31.200	DB32.200											18.2	100	141.42	200.00	244.95	316.23	374.17	447.21						
DB31.227	DB32.227											19.4	113.5	160.51	227.00	278.02	358.92	424.68	507.59						
DB31.250	DB32.250											●	20.4	125	176.78	250.00	306.19	395.19	467.71	559.02					
DB31.337	DB32.337											●	23.7	168.5	238.29	337.00	412.74	532.84	630.47	753.55					

End Connection : X – BSP, Y – BSPT, Z – NPT Available.

# DB Series Full Cone Spray Nozzles

(Female)

45° SPRAY ANGLE	CONNECTION END						ORIFICE SIZE (mm)	FLOW CAPACITY IN LPM AT DIFFERENT PRESSURE							G/A DIMENSION. MM				
	1/8"	1/4"	3/8"	1/2"	3/4"	1"		PRESSURE [BAR]											
MODEL NO.	BSP	BSP	BSP	BSP	BSP	BSP		0.5	1.0	2.0	3.0	5.0	7.0	10.0	CONN.	H	H1	D	HEX
DB13.100	●						1.2	0.50	0.71	1.00	1.22	1.58	1.87	2.24	1/8"	26.5	6.5	13.2	14
DB13.150	●						1.5	0.75	1.06	1.50	1.84	2.37	2.81	3.35	Weight (Metals) = xx gms. Approx				
DB13.175	●						1.6	0.87	1.24	1.75	2.14	2.77	3.27	3.91	1/4"	34	10	15.2	16
DB13.200	●						1.7	1.00	1.41	2.00	2.45	3.16	3.74	4.47	Weight (Metals) = 38 gms. Approx				
DB13.250	●	●					1.9	1.25	1.77	2.50	3.06	3.95	4.68	5.59	3/8"	36.5	10	21.2	22
DB13.300		●					2.0	1.50	2.12	3.00	3.67	4.74	5.61	6.71	Weight (Metals) = 90 gms. Approx				
DB13.350		●	●				2.2	1.75	2.47	3.50	4.29	5.53	6.55	7.83	1/2"	48.5	14	26.2	27
DB13.400		●	●				2.4	2.00	2.83	4.00	4.90	6.32	7.48	8.94	Weight (Metals) = 176 gms. Approx				
DB13.475		●	●				2.6	2.37	3.36	4.75	5.82	7.51	8.89	10.62	3/4"	58	14	31.5	27
DB13.650			●	●			3.1	3.25	4.60	6.50	7.96	10.28	12.16	14.53	Weight (Metals) = 230 gms. Approx				
DB13.800				●			3.4	4.00	5.66	8.00	9.80	12.65	14.97	17.89	1"	76	18	39.5	36
DB23.100				●			3.8	5.00	7.07	10.00	12.25	15.81	18.71	22.36	Weight (Metals) = 470 gms. Approx				
DB23.125				●	●		4.2	6.25	8.84	12.50	15.31	19.76	23.39	27.95					
DB23.160				●	●		4.8	8.00	11.31	16.00	19.60	25.30	29.93	35.78					
DB23.180				●	●		5.2	9.00	12.73	18.00	22.05	28.46	33.67	40.25					
DB23.200				●	●		5.4	10.00	14.14	20.00	24.49	31.62	37.42	44.72					
DB23.225					●		5.7	11.25	15.91	22.50	27.56	35.58	42.09	50.31					
DB23.250					●		6.0	12.50	17.68	25.00	30.62	39.53	46.77	55.90					
DB23.320					●		6.8	16.00	22.63	32.00	39.19	50.60	59.87	71.55					

60° SPRAY ANGLE	CONNECTION END						ORIFICE SIZE (mm)	FLOW CAPACITY IN LPM AT DIFFERENT PRESSURE							G/A DIMENSION. MM				
	1/8"	1/4"	3/8"	1/2"	3/4"	1"		PRESSURE [BAR]											
MODEL NO.	BSP	BSP	BSP	BSP	BSP	BSP		0.5	1.0	2.0	3.0	5.0	7.0	10.0	CONN.	H	H1	D	HEX
DB14.100	●						1.1	0.50	0.71	1.00	1.22	1.58	1.87	2.24	1/8"	26.5	6.5	13.2	14
DB14.150	●						1.4	0.75	1.06	1.50	1.84	2.37	2.81	3.35	Weight (Metals) = xx gms. Approx				
DB14.175	●						1.5	0.87	1.24	1.75	2.14	2.77	3.27	3.91	1/4"	34	10	15.2	16
DB14.200	●						1.6	1.00	1.41	2.00	2.45	3.16	3.74	4.47	Weight (Metals) = 38 gms. Approx				
DB14.250	●						1.8	1.25	1.77	2.50	3.06	3.95	4.68	5.59	3/8"	36.5	10	21.2	22
DB14.300	●						2.0	1.50	2.12	3.00	3.67	4.74	5.61	6.71	Weight (Metals) = 90 gms. Approx				
DB14.350	●	●					2.1	1.75	2.47	3.50	4.29	5.53	6.55	7.83	1/2"	48.5	14	26.2	27
DB14.400		●	●				2.3	2.00	2.83	4.00	4.90	6.32	7.48	8.94	Weight (Metals) = 176 gms. Approx				
DB14.475		●	●				2.5	2.37	3.36	4.75	5.82	7.51	8.89	10.62	3/4"	58	14	31.5	27
DB14.650		●	●				2.9	3.25	4.60	6.50	7.96	10.28	12.16	14.53	Weight (Metals) = 230 gms. Approx				
DB14.800			●				3.25	4.00	5.66	8.00	9.80	12.65	14.97	17.89	1"	76	18	39.5	36
DB24.100			●				3.6	5.00	7.07	10.00	12.25	15.81	18.71	22.36	Weight (Metals) = 470 gms. Approx				
DB24.125				●			4.1	6.25	8.84	12.50	15.31	19.76	23.39	27.95					
DB24.160				●			4.6	8.00	11.31	16.00	19.60	25.30	29.93	35.78					
DB24.180				●			4.9	9.00	12.73	18.00	22.05	28.46	33.67	40.25					
DB24.200					●		5.1	10.00	14.14	20.00	24.49	31.62	37.42	44.72					
DB24.225					●		5.5	11.25	15.91	22.50	27.56	35.58	42.09	50.31					
DB24.250					●		5.8	12.50	17.68	25.00	30.62	39.53	46.77	55.90					
DB24.320					●		6.5	16.00	22.63	32.00	39.19	50.60	59.87	71.55					
DB24.400					●		7.3	20.00	28.28	40.00	48.99	63.25	74.83	89.44					
DB24.520					●		8.3	26.00	36.77	52.00	63.69	82.22	97.28	116.28					

End Connection : X – BSP, Y - BSPT, Z – NPT Available.

# DB Series Full Cone Spray Nozzles

(Female)

90° SPRAY ANGLE	CONNECTION END						ORIFICE SIZE (mm)	FLOW CAPACITY IN LPM AT DIFFERENT PRESSURE							G/A DIMENSION. MM				
	1/8"	1/4"	3/8"	1/2"	3/4"	1"		PRESSURE [BAR]							CONN.	H	H1	D	HEX
MODEL NO.	BSP	BSP	BSP	BSP	BSP	BSP	0.5	1.0	2.0	3.0	5.0	7.0	10.0						
DB16.100	●						1.2	0.50	0.71	1.00	1.22	1.58	1.87	2.24	1/8"	26.5	6.5	13.2	14
DB16.150	●						1.4	0.75	1.06	1.50	1.84	2.37	2.81	3.35	Weight (Metals) = xx gms. Approx				
DB16.175	●						1.5	0.87	1.24	1.75	2.14	2.77	3.27	3.91	1/4"	34	10	15.2	16
DB16.200	●						1.6	1.00	1.41	2.00	2.45	3.16	3.74	4.47	Weight (Metals) = 38 gms. Approx				
DB16.250	●						1.8	1.25	1.77	2.50	3.06	3.95	4.68	5.59	3/8"	36.5	10	21.2	22
DB16.300	●						2.0	1.50	2.12	3.00	3.67	4.74	5.61	6.71	Weight (Metals) = 90 gms. Approx				
DB16.350	●	●	●				2.2	1.75	2.47	3.50	4.29	5.53	6.55	7.83	1/2"	48.5	14	26.2	27
DB16.400	●	●	●				2.3	2.00	2.83	4.00	4.90	6.32	7.48	8.94	Weight (Metals) = 176 gms. Approx				
DB16.475	●	●	●				2.5	2.37	3.36	4.75	5.82	7.51	8.89	10.62	3/4"	58	14	31.5	27
DB16.650	●	●	●				2.9	3.25	4.60	6.50	7.96	10.28	12.16	14.53	Weight (Metals) = 230 gms. Approx				
DB16.800	●	●	●				3.3	4.00	5.66	8.00	9.80	12.65	14.97	17.89	1"	76	18	39.5	36
DB26.100			●				3.6	5.00	7.07	10.00	12.25	15.81	18.71	22.36	Weight (Metals) = 470 gms. Approx				
DB26.125			●				4.1	6.25	8.84	12.50	15.31	19.76	23.39	27.95					
DB26.160			●	●			4.6	8.00	11.31	16.00	19.60	25.30	29.93	35.78					
DB26.180				●			4.9	9.00	12.73	18.00	22.05	28.46	33.67	40.25					
DB26.200				●			5.2	10.00	14.14	20.00	24.49	31.62	37.42	44.72					
DB26.225				●			5.5	11.25	15.91	22.50	27.56	35.58	42.09	50.31					
DB26.250				●	●		5.8	12.50	17.68	25.00	30.62	39.53	46.77	55.90					
DB26.320				●	●		6.5	16.00	22.63	32.00	39.19	50.60	59.87	71.55					
DB26.400					●		7.3	20.00	28.28	40.00	48.99	63.25	74.83	89.44					
DB26.520					●	●	8.3	26.00	36.77	52.00	63.69	82.22	97.28	116.28					
DB26.650						●	9.3	32.50	45.96	65.00	79.61	102.77	121.60	145.34					
DB26.720						●	9.8	36.00	50.91	72.00	88.18	113.8	134.7	161.0					

120° SPRAY ANGLE	CONNECTION END						ORIFICE SIZE (mm)	FLOW CAPACITY IN LPM AT DIFFERENT PRESSURE							G/A DIMENSION. MM				
	1/8"	1/4"	3/8"	1/2"	3/4"	1"		PRESSURE [BAR]							CONN.	H	H1	D	HEX
MODEL NO.	BSP	BSP	BSP	BSP	BSP	BSP	0.5	1.0	2.0	3.0	5.0	7.0	10.0						
DB18.100	●						1.2	0.50	0.71	1.00	1.22	1.58	1.87	2.24	1/8"	26.5	6.5	13.2	14
DB18.150	●						1.5	0.75	1.06	1.50	1.84	2.37	2.81	3.35	Weight (Metals) = xx gms. Approx				
DB18.175	●						1.6	0.87	1.24	1.75	2.14	2.77	3.27	3.91	1/4"	34	10	15.2	16
DB18.200	●						1.7	1.00	1.41	2.00	2.45	3.16	3.74	4.47	Weight (Metals) = 38 gms. Approx				
DB18.250	●						1.9	1.25	1.77	2.50	3.06	3.95	4.68	5.59	3/8"	36.5	10	21.2	22
DB18.300	●						2.0	1.50	2.12	3.00	3.67	4.74	5.61	6.71	Weight (Metals) = 90 gms. Approx				
DB18.350	●						2.3	1.75	2.47	3.50	4.29	5.53	6.55	7.83	1/2"	48.5	14	26.2	27
DB18.400	●	●	●				2.5	2.00	2.83	4.00	4.90	6.32	7.48	8.94	Weight (Metals) = 176 gms. Approx				
DB18.475	●	●	●				2.7	2.37	3.36	4.75	5.82	7.51	8.89	10.62	3/4"	58	14	31.5	27
DB18.650	●	●	●				3.1	3.25	4.60	6.50	7.96	10.28	12.16	14.53	Weight (Metals) = 230 gms. Approx				
DB18.800	●	●	●				3.5	4.00	5.66	8.00	9.80	12.65	14.97	17.89	1"	76	18	39.5	36
DB28.100			●				3.9	5.00	7.07	10.00	12.25	15.81	18.71	22.36	Weight (Metals) = 470 gms. Approx				
DB28.125			●				4.3	6.25	8.84	12.50	15.31	19.76	23.39	27.95					
DB28.160			●	●			4.9	8.00	11.31	16.00	19.60	25.30	29.93	35.78					
DB28.180				●			5.2	9.00	12.73	18.00	22.05	28.46	33.67	40.25					
DB28.200				●			5.5	10.00	14.14	20.00	24.49	31.62	37.42	44.72					
DB28.225				●			5.8	11.25	15.91	22.50	27.56	35.58	42.09	50.31					
DB28.250				●	●		6.1	12.50	17.68	25.00	30.62	39.53	46.77	55.90					
DB28.320				●	●		6.9	16.00	22.63	32.00	39.19	50.60	59.87	71.55					
DB28.400					●		7.7	20.00	28.28	40.00	48.99	63.25	74.83	89.44					
DB28.520						●	8.8	26.00	36.77	52.00	63.69	82.22	97.28	116.28					
DB28.650						●	9.9	32.50	45.96	65.00	79.61	102.77	121.60	145.34					
DB28.720						●	10.4	36.00	50.91	72.00	88.18	113.8	134.7	161.0					

End Connection : X – BSP, Y – BSPT, Z – NPT Available.