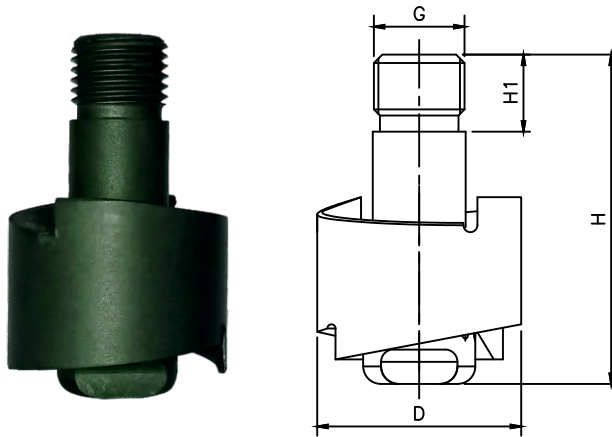
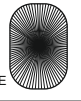


EN Series Free Rotating Cleaners

EN



Coverage Type	Spray Angle
	360°

Spraytech EN Series free rotating cleaners The unique ball bearing free design with only one rotating disc instantly generates high speed spherical droplets. Maximum surface coverage is attained by fast travelling sphere of droplets to cover full inside surface of the vessels. The droplets also reach inlet pipes and pipe entry points, where often contamination takes place.

Applications : These Tank washer are compact in design and effective in performance and are suitable for cleaning small/medium process vessels, storage tanks etc. Where it is required to give longer chemical dwell times for improved cleaning result.

ENA



ENA - PTFE / CPTFE SHAFT & TROLL BALL

MODEL NO.	SPRAY ANGLE	END CONN (G)		FLOW CAPACITY IN LPM AT DIFFERENT PRESSURE					G/A DIMENSION. MM			
		1/4"	3/4"	PRESSURE [BAR]					CONN	H	H1	D
				1.5	2	3	5	7				
ENA2E.400	E	●		34.64	40.00	48.99	63.25	74.83	1/4"	47	11	29
ENA2E.520	E	●		45.03	52.00	63.69	82.22	97.28	3/4"	65	15	39
ENA2E.800	E		●	69.28	80.00	97.98	126.49	149.67	Weight (Metals) = XX kg. Approx			
ENA3E.100	E		●	86.60	100.00	122.47	158.11	187.67				

ENB



ENB - SS16L SHAFT & PTFE TROLL BALL

MODEL NO.	SPRAY ANGLE	END CONN (G)		FLOW CAPACITY IN LPM AT DIFFERENT PRESSURE					G/A DIMENSION. MM			
		1/4"	3/4"	PRESSURE [BAR]					CONN	H	H1	D
				1.5	2	3	5	7				
ENB2E.400	E	●		34.64	40.00	48.99	63.25	74.83	1/4"	47	11	29
ENB2E.520	E	●		45.03	52.00	63.69	82.22	97.28	3/4"	65	15	39
ENB2E.800	E		●	69.28	80.00	97.98	126.49	149.67	Weight (Metals) = XX kg. Approx			
ENB3E.100	E		●	86.60	100.00	122.47	158.11	187.67				

ENC



ENC - SS16L SHAFT & SS316L TROLL BALL

MODEL NO.	SPRAY ANGLE	END CONN (G)		FLOW CAPACITY IN LPM AT DIFFERENT PRESSURE					G/A DIMENSION. MM			
		1/4"	3/4"	PRESSURE [BAR]					CONN	H	H1	D
				1.5	2	3	5	7				
ENC2E.400	E	●		34.64	40.00	48.99	63.25	74.83	1/4"	47	11	29
ENC2E.520	E	●		45.03	52.00	63.69	82.22	97.28	3/4"	65	15	39
ENC2E.800	E		●	69.28	80.00	97.98	126.49	149.67	Weight (Metals) = XX kg. Approx			
ENC3E.100	E		●	86.60	100.00	122.47	158.11	187.67				