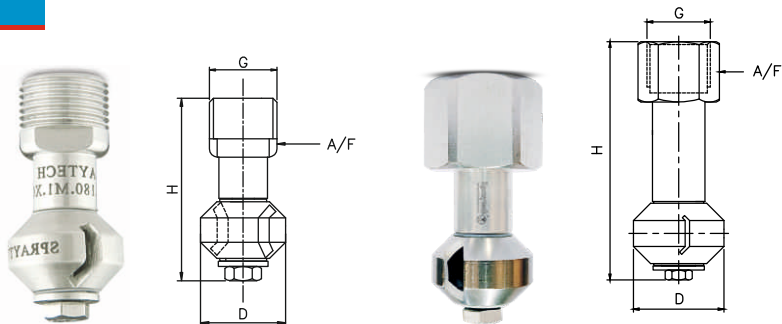


EA Self-Rotating Spray Nozzles Stainless Steel & Plastic Versions

EA



EA series nozzles are very compact and designed for cleaning process in small bore or small size of containers. The rotary motion allows it to clean the vessels effectively. It is available in all grade of stainless steel material and also available in plastics like PTFE along with several spray angles.

Coverage Type	Spray Angle
B	180°
D	270°
E	360°

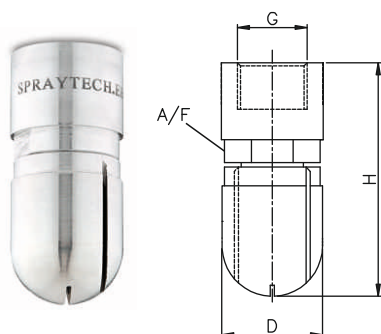
MODEL NO.	SPRAY ANGLE	CONNECTION			FLOW CAPACITY IN LPM AT DIFFERENT PRESSURE					CONNECTION	G/A DIMENSION. MM					
		1/4"	3/8"	1/2"	PRESSURE [BAR]						MALE			FEMALE		
					1.5	2	3	5	7		H	D	A/F	H	D	A/F
EA2.100	B/D/E	●			8.66	10.00	12.25	15.81	18.71	1/4"	45	16	12.8	45	16	16
EA2.120	B/D/E	●	●		10.39	12.00	14.70	18.97	22.45	Weight (Metals) = XX gms. Approx						
EA2.150	B/D/E		●		12.99	15.00	18.37	23.72	28.06	3/8"	45	22.2	12.8	51	22.2	22
EA2.180	B/D/E		●		15.59	18.00	22.05	28.46	33.67	Weight (Metals) = 30.0 gms. Approx						
EA2.220	B/D/E		●	●	19.05	22.00	26.94	34.79	41.16	1/2"	79	30	22	79	30	24
EA2.300	B/D/E			●	25.98	30.00	36.74	47.43	56.12	Weight (Metals) = XX gms. Approx						
EA2.350	B/D/E			●	30.31	35.00	42.87	55.34	65.48							
EA2.400	B/D/E			●	34.64	40.00	48.99	63.25	74.83							

End Connection : X – BSP, Y - BSPT, Z – NPT Available.

Female Connection On Request

EB Self-Rotating Spray Nozzles Stainless Steel Versions

EB



EB series self rotating nozzles are designed as a small dimensions and opening and perform inside cleaning which is required. Typically used for cleaning like kegs, small container where the requirement is for cleaning. Diameter of nozzle is (25mm) These nozzles are available in all grade of stainless steel.

Male Connection On Request

Coverage Type	Spray Angle
B	180°
D	270°

MODEL NO.	SPRAY ANGLE	CONNECTION	FLOW CAPACITY IN LPM AT DIFFERENT PRESSURE					G/A DIMENSION. MM			
		1/2"	PRESSURE [BAR]								
			1.5	2	3	5	7	CONN.	H	D	A/F
EB2.180	B/D	●	15.59	18.00	22.05	28.46	33.67	1/2"	55	24.2	21
EB2.220	B/D	●	19.05	22.00	26.94	34.79	41.16	Weight (Metals) = XX gms. Approx			
EB2.280	B/D	●	24.25	28.00	34.29	44.27	52.38	1/2"	55	24.2	21
EB2.320	B/D	●	27.71	32.00	39.19	50.60	59.87	Weight (Metals) = XX gms. Approx			
EB2.380	B/D	●	32.91	38.00	46.54	60.08	71.09				

End Connection : X – BSP, Y - BSPT, Z – NPT Available.