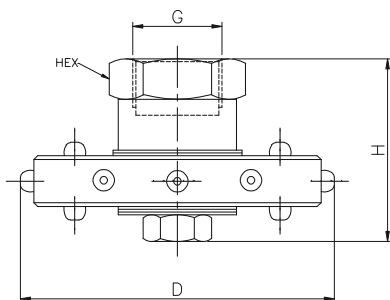


EE Gyro Jet Tank Washing Spray Nozzles Stainless Steel Versions

EE



Self powered rotating tank cleaning nozzle used for cleaning large and medium size diameter tanks. Efficient cleaning action for medium and large size tanks. Recommended operating pressure 2 to 3 kg/cm² and also available coverage 180° (up and down), 270° (up and down) and 360°.

Coverage Type	Spray Angle
A	180°
B	180°
C	270°
D	270°
E	360°

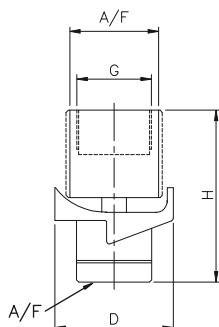
MODEL NO.	SPRAY ANGLE	CONNECTION				FLOW CAPACITY IN LPM AT DIFFERENT PRESSURE					G/A DIMENSION. MM			
		1"	1 1/2"	2"	3"	PRESSURE [BAR]					CONN.	H	D	HEX
						1.5	2	3	5	7				
EE3.140	A/B/C/D/E	●				121.24	140	171.46	221.36	261.92	1"	62.5	117	41
EE3.160	A/B/C/D/E	●				138.56	160	195.96	252.98	299.33	Weight (Metals) = 771.0 gms. Approx			
EE3.200	A/B/C/D/E	●				173.21	200	244.95	316.23	374.17	1 1/2"	97	131	71
EE3.250	A/B/C/D/E	●				216.51	250	306.19	395.28	467.71	Weight (Metals) = 1930gms. Approx			
EE3.275	A/B/C/D/E		●			238.16	275	336.80	434.81	514.48	2"	116.5	194	100
EE3.325	A/B/C/D/E		●	●		281.46	325	398.04	513.87	608.02	Weight (Metals) = 3630gms. Approx			
EE3.375	A/B/C/D/E		●	●		324.76	375	459.28	592.93	701.56	3"	XX	XX	XX
EE3.500	A/B/C/D/E		●	●		443.01	500	612.37	790.57	935.41	Weight (Metals) = XX gms. Approx			
EE4.625	A/B/C/D/E			●		541.27	625	765.47	988.21	1169.27				
EE3.800	A/B/C/D/E				●	692.82	800	979.80	1264.91	1496.66				
EE3.950	A/B/C/D/E				●	822.72	950	1163.51	1502.08	1777.29				
EE4.1100	A/B/C/D/E				●	952.63	1100	1347.22	1739.25	2057.91				

End Connection : X – BSP, Y - BSPT, Z – NPT Available.

Male Connection On Request

EF Turbo Cleaning Spray Nozzles Stainless Steel Versions

EF



The turbo nozzles are generally used for washing of industrial storage tanks small barrels and used in the dairy, chemical, pharmaceutical, food industries and process industries. The rotating Disc dispense an instant powerful dense spray to all the interior surface of the vessels. Spray coverage 180° up and down 360°.

Coverage Type	Spray Angle
A	180°
B	180°
E	360°

MODEL NO.	SPRAY ANGLE	CONNECTION		FLOW CAPACITY IN LPM AT DIFFERENT PRESSURE					G/A DIMENSION. MM			
		3/4"	1"	PRESSURE [BAR]					CONN.	H	D	A/F
				1.5	2	3	5	7				
EF2.400	A/B/E	●		34.64	40.00	48.99	63.25	74.83	3/4"	74	51	38
EF2.520	A/B/E	●		45.03	52.00	63.69	82.22	97.28	Weight (Metals) = 460 gms. Approx			
EF2.720	A/B/E	●	●	62.35	72.00	88.18	113.84	134.70	1"	74	51	38
EF2.950	A/B/E	●	●	82.27	95.00	116.35	150.21	177.73	Weight (Metals) = 460 gms. Approx			
EF3.120	A/B/E		●	103.92	120.0	146.97	189.74	224.50				
EF3.140	A/B/E		●	121.24	140.0	171.46	221.36	261.92				

End Connection : X – BSP, Y - BSPT, Z – NPT Available.

Male Connection On Request