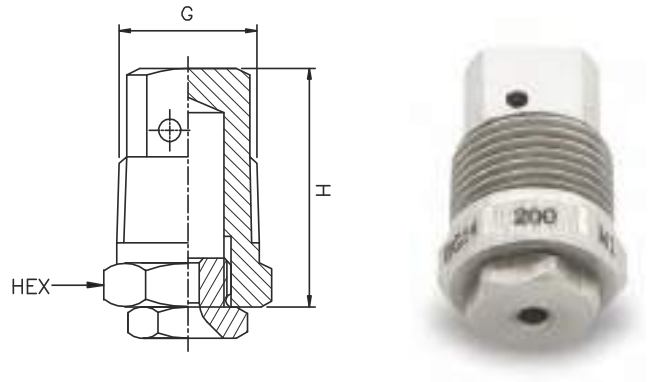


# BG Series Inline Entry Hollow Cone Spray Nozzles

**BG**



Inline Entry Hollow Cone Spray pattern with uniform distribution of finely atomized droplets. Smaller droplets in spray pattern than full cone nozzles of the same capacity at similar pressures.

**Design** : One piece in-line body with removable orifice tip, two piece construction

**Application** : Gas Cooling & Cleaning, Spray drying, Desuperheating, Water Cooling, Fugitive Dust suppression.

60° SPRAY ANGLE	END CONNECTION (G)			INLET DIA. NOM. (mm)	ORIFICE SIZE (mm)	FLOW CAPACITY IN LPM AT DIFFERENT PRESSURE							G/A DIMENSION. MM		
	1/4"	3/8"	1/2"			PRESSURE [BAR]									
MODEL NO.	BSP BSPT NPT	BSP BSPT NPT	BSP BSPT NPT			0.5	1.0	2.0	3.0	5.0	7.0	10.0	CONN.	H	HEX
BG14.050	●			1.2	1.1	0.25	0.35	0.50	0.61	0.79	0.94	1.12	1/4"	28.5	14
BG14.075	●			1.4	1.3	0.37	0.53	0.75	0.92	1.19	1.40	1.68	Weight (Metals) = 20.9 gms. Approx		
BG14.100	●			1.7	1.6	0.5	0.71	1.00	1.22	1.58	1.87	2.24	3/8"	30	17
BG14.150	●	●		2.1	2.0	0.75	1.06	1.50	1.84	2.37	2.81	3.35	Weight (Metals) = 33.3 gms. Approx		
BG14.175	●	●		2.2	2.1	0.87	1.24	1.75	2.14	2.77	3.27	3.91	1/2"	37.5	22
BG14.200	●	●		2.4	2.3	1.00	1.41	2.00	2.45	3.16	3.74	4.47	Weight (Metals) = 60.1 gms. Approx		
BG14.250	●	●		2.7	2.5	1.25	1.77	2.50	3.06	3.95	4.68	5.59			
BG14.300		●		2.9	2.8	1.50	2.12	3.00	3.67	4.74	5.61	6.71			
BG14.350		●		3.2	3.0	1.75	2.47	3.50	4.29	5.53	6.55	7.83			
BG14.400		●		3.4	3.2	2.00	2.83	4.00	4.90	6.32	7.48	8.94			
BG14.475		●		3.7	3.5	2.37	3.36	4.75	5.82	7.51	8.89	10.62			
BG14.650		●	●	4.3	4.1	3.25	4.60	6.50	7.96	10.28	12.16	14.53			
BG14.800		●	●	4.8	4.5	4.00	5.66	8.00	9.80	12.65	14.97	17.89			
BG24.100			●	5.4	5.1	5.00	7.07	10.00	12.25	15.81	18.71	22.36			
BG24.125			●	6.0	5.7	6.25	8.84	12.50	15.31	19.76	23.39	27.95			
BG24.160			●	6.8	6.4	8.00	11.31	16.00	19.60	25.30	29.93	35.78			
BG24.180			●	7.2	6.8	9.00	12.73	18.00	22.05	28.46	33.67	40.25			

End Connection : X – BSP, Y - BSPT, Z – NPT Available.

# BG Series Inline Entry Hollow Cone Spray Nozzles

**BG**

90° SPRAY ANGLE	END CONNECTION (G)					INLET DIA. NOM. (mm)	ORIFICE SIZE (mm)	FLOW CAPACITY IN LPM AT DIFFERENT PRESSURE							G/A DIMENSION. MM		
	1/4"	3/8"	1/2"	3/4"	1 1/2"			PRESSURE [BAR]									
MODEL NO.	BSP	BSP	BSP	BSP	BSP			0.5	1.0	2.0	3.0	5.0	7.0	10.0	CONN.	H	HEX
BG16.050	●					1.2	1.1	0.25	0.35	0.50	0.61	0.79	0.94	1.12	1/4"	28.5	14
BG16.075	●					1.4	1.3	0.37	0.53	0.75	0.92	1.19	1.40	1.68	Weight (Metals) = XX gms. Approx		
BG16.100	●					1.7	1.6	0.5	0.71	1.00	1.22	1.58	1.87	2.24	3/8"	30.5	17
BG16.150	●	●				2.1	2.0	0.75	1.06	1.50	1.84	2.37	2.81	3.35	Weight (Metals) = XX gms. Approx		
BG16.175	●	●				2.2	2.1	0.875	1.24	1.75	2.14	2.77	3.27	3.91	1/2"	37.5	22
BG16.200	●	●				2.4	2.3	1.00	1.41	2.00	2.45	3.16	3.74	4.47	Weight (Metals) = XX gms. Approx		
BG16.250	●	●				2.7	2.5	1.25	1.77	2.50	3.06	3.95	4.68	5.59	3/4"	44.5	27
BG16.300		●		●		2.9	2.8	1.50	2.12	3.00	3.67	4.74	5.61	6.71	Weight (Metals) = XX gms. Approx		
BG16.350		●		●		3.2	3.0	1.75	2.47	3.50	4.29	5.53	6.55	7.83	1 1/2"	68	48
BG16.400		●		●		3.4	3.2	2.00	2.83	4.00	4.90	6.32	7.48	8.94	Weight (Metals) = XX gms. Approx		
BG16.475		●		●		3.7	3.5	2.37	3.36	4.75	5.82	7.51	8.89	10.62			
BG16.650		●	●	●		4.3	4.1	3.25	4.60	6.50	7.96	10.28	12.16	14.53			
BG16.800			●	●		4.8	4.5	4.00	5.66	8.00	9.80	12.65	14.97	17.89			
BG26.100			●	●		5.4	5.1	5.00	7.07	10.00	12.25	15.81	18.71	22.36			
BG26.125			●	●		6.0	5.7	6.25	8.84	12.50	15.31	19.76	23.39	27.95			
BG26.160			●	●		6.8	6.4	8.00	11.31	16.00	19.60	25.30	29.93	35.78			
BG26.180			●	●		7.2	6.8	9.00	12.73	18.00	22.05	28.46	33.67	40.25			
BG26.200				●		7.6	7.2	10.00	14.14	20.00	24.49	31.62	37.42	44.72			
BG26.225				●		8.1	7.6	11.25	15.91	22.50	27.56	35.58	42.09	50.31			
BG26.250				●	●	8.5	8.0	12.5	17.68	25.00	30.62	39.53	46.77	55.90			
BG26.320				●	●	9.6	9.1	16.00	22.63	32.00	39.19	50.60	59.87	71.55			

120° SPRAY ANGLE	END CONNECTION (G)					INLET DIA. NOM. (mm)	ORIFICE SIZE (mm)	FLOW CAPACITY IN LPM AT DIFFERENT PRESSURE							G/A DIMENSION. MM		
	1/4"	3/8"	1/2"	3/4"	1 1/2"			PRESSURE [BAR]									
MODEL NO.	BSP	BSP	BSP	BSP	BSP			0.5	1.0	2.0	3.0	5.0	7.0	10.0	CONN.	H	HEX
BG18.050	●					1.2	1.1	0.25	0.35	0.50	0.61	0.79	0.94	1.12	1/4"	28.5	14
BG18.075	●					1.4	1.3	0.37	0.53	0.75	0.92	1.19	1.40	1.68	Weight (Metals) = XX gms. Approx		
BG18.100	●					1.7	1.6	0.5	0.71	1.00	1.22	1.58	1.87	2.24	3/8"	30.5	17
BG18.150	●	●				2.1	2.0	0.75	1.06	1.50	1.84	2.37	2.81	3.35	Weight (Metals) = XX gms. Approx		
BG18.175	●	●				2.2	2.1	0.875	1.24	1.75	2.14	2.77	3.27	3.91	1/2"	37.5	22
BG18.200	●	●				2.4	2.3	1.00	1.41	2.00	2.45	3.16	3.74	4.47	Weight (Metals) = XX gms. Approx		
BG18.250	●	●				2.7	2.5	1.25	1.77	2.50	3.06	3.95	4.68	5.59	3/4"	44.5	27
BG18.300		●		●		2.9	2.8	1.50	2.12	3.00	3.67	4.74	5.61	6.71	Weight (Metals) = XX gms. Approx		
BG18.350		●		●		3.2	3.0	1.75	2.47	3.50	4.29	5.53	6.55	7.83	1 1/2"	68	48
BG18.400		●		●		3.4	3.2	2.00	2.83	4.00	4.90	6.32	7.48	8.94	Weight (Metals) = 595 gms. Approx		
BG18.475		●		●		3.7	3.5	2.37	3.36	4.75	5.82	7.51	8.89	10.62			
BG18.650		●	●	●		4.3	4.1	3.25	4.60	6.50	7.96	10.28	12.16	14.53			
BG18.800			●	●		4.8	4.5	4.00	5.66	8.00	9.80	12.65	14.97	17.89			
BG28.100			●	●		5.4	5.1	5.00	7.07	10.00	12.25	15.81	18.71	22.36			
BG28.125			●	●		6.0	5.7	6.25	8.84	12.50	15.31	19.76	23.39	27.95			
BG28.160			●	●		6.8	6.4	8.00	11.31	16.00	19.60	25.30	29.93	35.78			
BG28.180				●		7.2	6.8	9.00	12.73	18.00	22.05	28.46	33.67	40.25			
BG28.200				●		7.6	7.2	10.00	14.14	20.00	24.49	31.62	37.42	44.72			
BG28.225				●		8.1	7.6	11.25	15.91	22.50	27.56	35.58	42.09	50.31			
BG28.250				●	●	8.5	8.0	12.5	17.68	25.00	30.62	39.53	46.77	55.90			
BG28.320				●	●	9.6	9.1	16.00	22.63	32.00	39.19	50.60	59.87	71.55			
BG28.400				●		10.8	10.1	20.00	28.28	40.00	48.99	63.60	74.83	89.44			
BG28.520				●		12.3	11.5	26.00	36.77	52.00	63.69	82.22	97.28	116.28			
BG28.650				●		13.71	12.9	32.5	45.96	65.00	79.61	102.77	121.60	145.34			
BG28.800				●		15.2	14.3	40.00	56.57	80.00	97.98	126.49	149.67	178.89			

End Connection : X – BSP, Y - BSPT, Z – NPT Available.