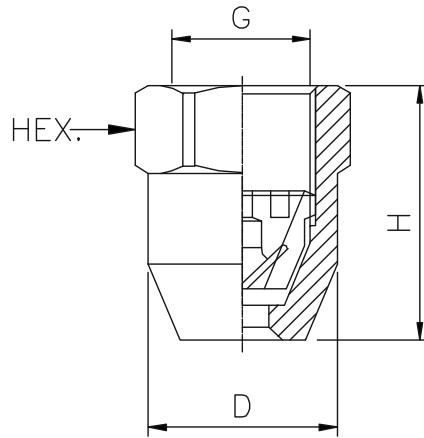


BH Series Hollow Cone Spray Nozzles

BH



Axial hollow cone spray nozzles in two piece body and swirl insert spiral grooves conduct liquid along a straight through axial flow line, producing an especially fine atomized spray.

Application :

- Cooling and cleaning of air / gas
- Dust Suppression
- Spray drying
- Filter cleaning
- Desuperheating

MODEL NO.	CONNECTION END				ORIFICE SIZE (mm)	FLOW CAPACITY IN LPM AT DIFFERENT PRESSURE							G/A DIMENSION. MM			
	1/4"	1/4"	3/8"	1/2"		PRESSURE [BAR]							CONN.	H	D	HEX
	BSP	BSP	BSP	BSP		0.5	1.0	2.0	3.0	5.0	7.0	10.0				
60 ° SPRAY ANGLE													1/8"	18	13.5	14
BH14.050	●	●			1.0	0.25	0.35	0.50	0.61	0.79	0.94	1.12	Weight (Metals) = XX gms. Approx			
BH14.075	●	●			1.1	0.375	0.53	0.75	0.92	1.19	1.40	1.68	1/4"	22	16.5	17
BH14.100	●	●	●		1.2	0.5	0.71	1.00	1.22	1.58	1.87	2.24	Weight (Metals) = XX gms. Approx			
BH14.150	●	●	●		2.0	0.75	1.06	1.50	1.84	2.37	2.81	3.35	3/8"	29	21.5	22
BH14.200	●	●	●		3.0	1.00	1.41	2.00	2.45	3.16	3.74	4.47	Weight (Metals) = XX gms. Approx			
BH14.250		●	●		3.5	1.25	1.77	2.50	3.06	3.95	4.68	5.59	1/2"	36	26.7	27
75 ° SPRAY ANGLE													Weight (Metals) = XX gms. Approx			
BH15.050	●	●			1.0	0.25	0.35	0.50	0.61	0.79	0.94	1.12				
BH15.075	●	●			1.1	0.375	0.53	0.75	0.92	1.19	1.40	1.68				
BH15.100	●	●	●		1.2	0.5	0.71	1.00	1.22	1.58	1.87	2.24				
BH15.150	●	●	●		2.0	0.75	1.06	1.50	1.84	2.37	2.81	3.35				
BH15.200	●	●	●		3.0	1.00	1.41	2.00	2.45	3.16	3.74	4.47				
BH15.250		●	●		3.5	1.25	1.77	2.50	3.06	3.95	4.68	5.59				
90 ° SPRAY ANGLE																
BH16.050	●	●			1.0	0.25	0.35	0.50	0.61	0.791	0.94	1.12				
BH16.275	●	●			1.1	0.375	0.53	0.75	0.92	1.19	1.40	1.68				
BH16.100	●	●	●		1.2	0.5	0.71	1.00	1.22	1.58	1.87	2.24				
BH16.150	●	●	●		2.0	0.75	1.06	1.50	1.84	2.37	2.81	3.35				
BH16.200	●	●	●		3.0	1.00	1.41	2.00	2.45	3.16	3.74	4.47				
BH16.250		●	●		3.5	1.25	1.77	2.50	3.06	3.95	4.68	5.59				
BH16.350			●		4.00	1.75	2.47	3.50	4.29	5.53	6.55	7.83				
BH16.400			●		4.50	2.00	2.83	4.00	4.90	6.32	7.48	8.94				
BH16.475			●	●	5.00	2.37	3.36	4.75	5.82	7.51	8.89	10.62				
BH16.650			●	●	5.50	3.25	4.60	6.50	7.96	10.28	12.16	14.53				
BH16.800			●	●	6.00	4.00	5.66	8.00	9.80	12.65	14.97	17.89				
BH26.100				●	7.00	5.00	7.07	10.00	12.25	15.81	18.71	22.36				
BH26.125				●	8.00	6.25	8.84	12.50	15.31	19.76	23.39	27.95				
BH26.160				●	9.00	8.00	11.31	16.00	19.60	25.30	29.93	35.78				