

CK Series Flat Spray Nozzles For Air & Saturated Steam

CK

Features :

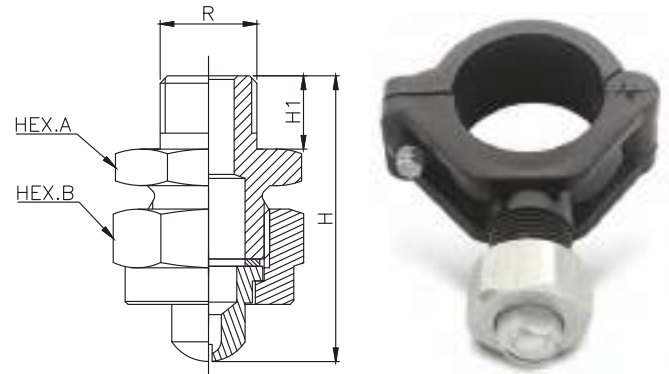
- Produce flat spray pattern in air or steam.
- Effective spray angle does not hold long since air or steam disperses very quickly.

Standard Operating Air Pressure :

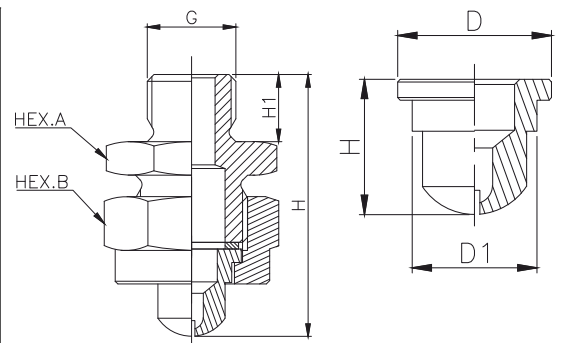
- 3 Bar

Applications :

- **Compressed air :**
Cleaning, dust suppression, drying air curtain, etc.
- **Steam :**
Humidification, temperature control, moisture control, etc.



CK - series (3-piece structure)	
Structure	<ul style="list-style-type: none"> • 3-piece structure of all metal • Comprises three parts : Spray tip, cap and adaptor, worn-out spray tip can be replaced separately. • Cap and adaptor standard flat spray nozzle for liquid.
Material	<ul style="list-style-type: none"> • B (Brass) or S.S.304 (Stainless Steel 304) • Optional material : S316



COMPLETE NOZZLE :

Series	End Connection Size of Complete Nozzle	Dimensions(mm)				Weight (g)	
		H	H1	Hex A	Hex B	Brass	S.S.304
CK	1/4 ,3/8 G(M)	39	10	22	22	47	44
	1/4 ,3/8 R(M)	41.5	10	22	22	78	73

SPRAY TIP :

Series	Spray Tip	Dimensions (mm)			Weight (g)	
		H	D	D1	Brass	S.S.304
CK	1/4	13	14.8	12	5.0	4.8
	3/8	13	14.8	12	8.2	7.8

Note : Appearance and dimensions may be slightly changed depending on materials and nozzle codes.