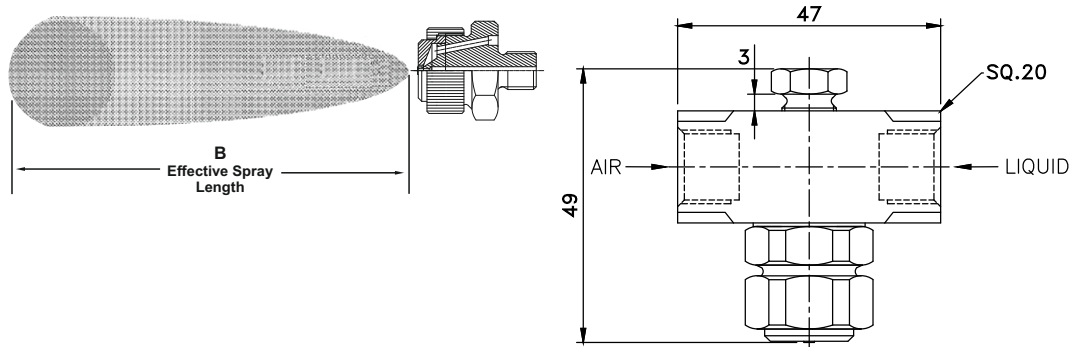


# DASA Series Full Cone Siphon Air Atomizing Spray Nozzles

## DESIGN / SPRAY CHARACTERISTICS

- Lowest flow available
- Very fine atomization
- Narrow spray angle (12° - 25°)
- Full cone pattern
- Short to moderate forward spray projection



## Flow Rates and Dimensions

Siphon-fed, External Mix, Round Spray Pattern, 1/8" and 1/4" Pipe Sizes, BSP or NPT

Pipe Size	Spray Set-up Number	ATOMIZING AIR		Liquid Capacity in l/h (Liters Per Hour)								Spray Dimensions at 200 mm. Siphon Height	
				Gravity Head				Siphon Height					
		Air (bar)	Nm <sup>3</sup> /h	450 mm	300 mm	150 mm	100 mm	200 mm	300 mm	600 mm	900 mm	"B" Effective Spray Length(mm)	Max. Spray Length (m)
1/8 or 1/4	DASA 050	0.7	0.66	1.5	1.3	1.1	0.9	0.7	0.5			280	1.8
		1.5	1.02	1.8	1.7	1.5	1.3	1.2	1.1			280	1.9
		3.0	1.68	2.1	1.9	1.7	1.5	1.4	1.3	1.1	0.8	300	2.3
		4.0	2.16	2.2	2.0	1.8	1.6	1.5	1.4	1.2	0.9	360	2.6
1/8 or 1/4	DASA 150	0.7	0.78	24	2.1	1.7	1.5	1.2	0.8			300	2.1
		1.5	1.20	2.8	2.6	2.4	2.1	1.9	1.6	0.9		330	2.3
		3.0	1.92	3.4	3.1	2.9	2.8	2.6	2.4	1.7	1.1	380	2.6
		4.0	2.46	3.7	3.4	3.3	3.1	2.9	2.7	2.1	1.5	430	3.0
1/8 or 1/4	DASA 200	0.7	1.38	2.5	2.3	2.0	1.6	1.4	1.1			300	2.4
		1.5	2.16	2.9	2.8	2.5	2.2	2.0	1.7	0.9		330	2.7
		3.0	3.48	3.4	3.3	3.2	2.9	2.8	2.5	1.9	1.2	380	3.4
		4.0	4.44	3.7	3.6	3.5	3.4	3.3	3.0	2.5	2.0	430	4.0
1/8 or 1/4	DASA 250	0.7	1.14	4.5	4.0	3.4	2.1	1.8	1.4			380	3.0
		1.5	1.86	5.3	4.9	4.4	3.5	2.9	2.7	1.8		410	3.4
		3.0	3.00	6.0	5.6	5.0	4.4	4.0	3.4	2.4	1.2	460	4.0
		4.0	3.90	5.7	5.4	5.0	4.2	3.9	3.5	2.8	1.9	510	4.6
1/8 or 1/4	DASA 400	1.5	3.48	22	19.9	16.3	12.3	10.5	8.3	2.8		460	3.7
		3.0	5.28	25	23	19.5	16.7	14.2	11.5	6.4	2.8	510	4.3
		4.0	6.66	26	24	21	18.4	15.7	12.9	7.9	4.5	530	4.9
		5.6	8.82	26	24	22	19.7	17	14.6	9.8	6.1	580	5.5
1/8 or 1/4	DASA 450	2.0	8.64				27	22	16.8			510	6.7
		3.0	11.4				30	26	21			530	7.0
		4.0	14.4	44	43	40	31	28	23	11.0		580	7.6
		5.6	18.9	44	42	39	31	28	24	16.7	8.3	630	8.2

Standard Materials: Nickel-plated Brass, 303 Stainless Steel and 316 Stainless Steel.