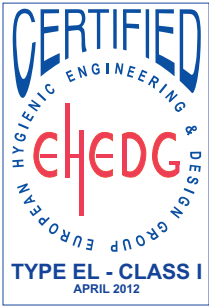




NEW!



Rotating cleaning nozzles »HygienicWhirly«

The new »Hygienic Whirly« rotating cleaning nozzles are especially designed for both cleaning with foam from liquid detergent and water mixtures and for steam sterilisation.

Advantages

- High functional reliability during operation with liquids as well as with foam from detergent/ water mixtures
- Low water and detergent consumption due to nozzle operating at low pressure

Applications

- For applications with special sanitary requirements
- Cleaning of tanks with liquids and/or with foam from detergent/water mixtures
- Cleaning of bottling machines, especially for cold aseptic filling

For use in

- Beverage industry
- Food industry
- Pharmaceutical industry



Technical data »HygienicWhirly«



Lechler GmbH
Precision Nozzles · Nozzle Systems
P.O. Box 13 23
72544 Metzingen / Germany
Phone +49 (0 71 23) 962-0
Telefax + 49 (0 71 23) 962-444

E-Mail: info@lechler.de
Internet: www.lechler.com

FDA - conform

Max. spray diameter:

1.5 m
Typ 595.139 up to 2.5 m

Surface roughness:

< 0.8 μm

Operating pressure:

0.5 - 3.0 bar

Max. temperature:

100°C, short time up to 140°C

Installation:

Operation in every direction is possible

Material:

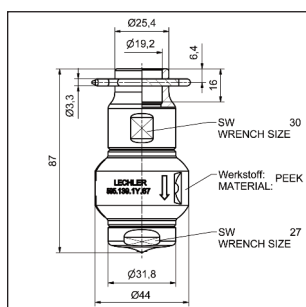
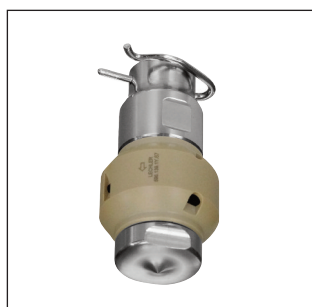
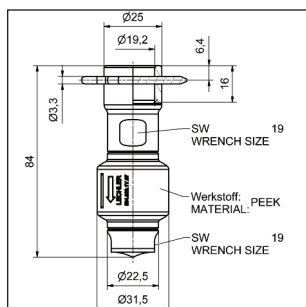
PEEK, stainless steel AISI 316L and seals made of EPDM


Bearing:

Slide bearing made of PEEK

Filtration:

Line-strainer with a mesh size of 0.3 mm/50 mesh



Spray-angle	Ordering number		E Ø [mm]	Flow rate				
	Type	Slip-on		Δp [bar] ($\Delta p_{\text{max}} = 5 \text{ bar}$)				
				0.5	1	2	3	at 40 psi [US gal/ min]
360° 	594.829.1Y.67	3/4"	1.7	6	8	11	14	3
	594.879.1Y.67	3/4"	2.5	8	11	15	18	5
	595.009.1Y.67	3/4"	4.0	16	22	32	39	10
	595.049.1Y.67	3/4"	4.2	20	28	40	49	12
	595.139.1Y.67	3/4"	5.0	34	47	67	82	21

E = Narrowest free cross-section

Please note: Operation with compressed air only for short-term usage. Operation above the recommended operating pressure means higher wear and smaller droplets. This might have adverse effects on the cleaning result.

Slip-on versions: - R-Clip made of stainless steel AISI 316 L is included. (Ordering-no.: 095.022.1Y.50.94.E)
- Depending on diameter of the adapter the flow rate can increase due to leakage between connecting pipe and rotating cleaning nozzle.